

Distribution and measurement of electrical energy in concrete distribution cabins

The solid and weatherproof distribution cabinet is ideally adapted to the environment thanks to the different available executions.

Customer / installation engineer:	Various applications
Stipulation:	Concrete distribution cabins equipped with GIFAS hard rubber distributor
Solution:	Power where you need it
Article:	See examples, other items upon request
Quantity:	Depending on application
Equipment:	See examples, other versions on request
Areas of application:	Car parks, public areas

Initial situation

The distribution and consumption measurement in public areas is frequently challenging, since various requirements must be met.

- Solid and secure installation
- Weather-resistant
- Sufficient connection space for direct and plugged outlets
- Appearance

GIFAS-ELECTRIC was able to fulfil the requirements for several objects, as well as equip and deliver concrete cabins with hard rubber distributors.

Customer benefits

Concrete distribution cabins guarantee safe, longterm operation thanks to high-quality construction materials.

All components are protected against weather effects. The concrete is water-proofed, while the doors are made out of sturdy, structured aluminium which is anodised and thereby UV-resistant and colourfast. Distribution cabins are available in a wide variety of designs; this allows them to be optimally tailored to their environment.

The electrical components are provided with additional protection via installation in the hard rubber distributor or robust PVC installation frames.

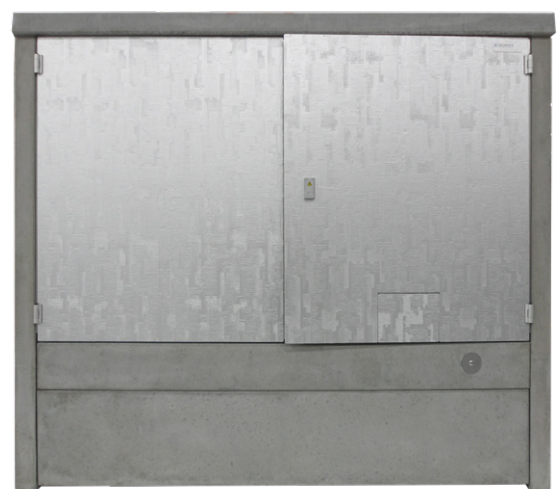
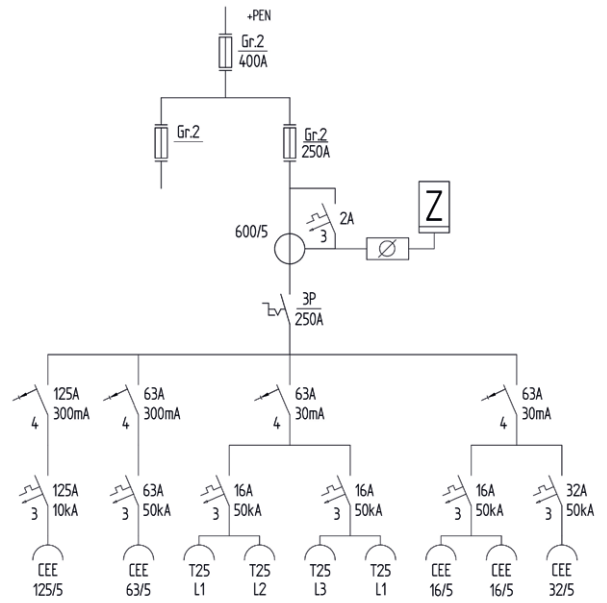


V 0815

Item no.: 153606

Distribution cabin 160/210, 1-part with 2 doors and hard rubber distributor type 7800.

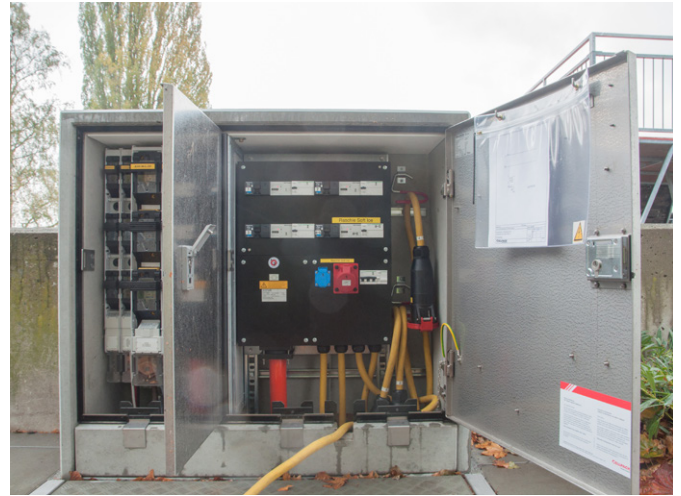
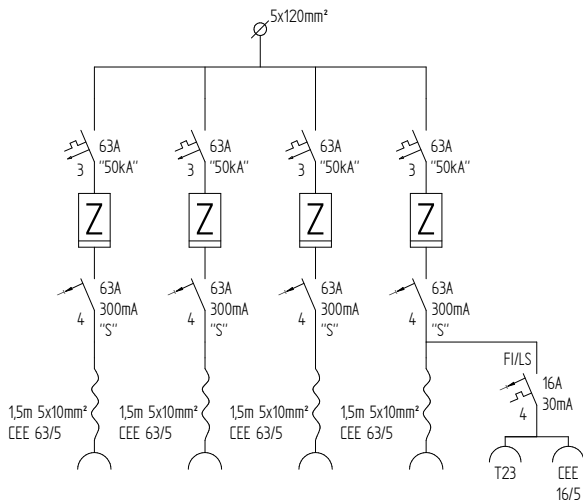
- Equipped with:
- Knife fuse size 2, 400A input
 - Knife fuse size 2, 400A direct outflow uncounted
 - Knife fuse size 2, 250 back-up fuse
 - Converter measurement 600/5 A
 - Main switch 3P-250 A for sockets
 - RCD + MCB to the sockets



Item no.: 158270

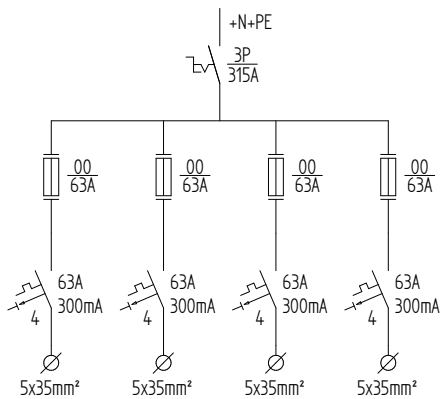
Mounting plate equipped with FI + LS prepared for on-site assembly in the concrete cabin

- Equipped with:
- 4x CEE63 coupling with cable
 - 4x counter + energy 50kA MCB
 - 4x RCD 63A/300mA selective
 - 2 sockets, T23/16/5 with RCD + MCB



Item no.: 132483

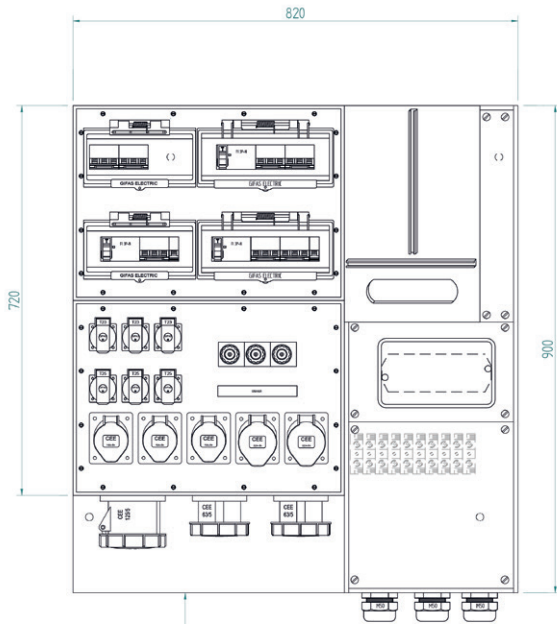
Distribution cabin 160/120, 2-part with 2 doors
2 complete assemblies with main switch 315A, 4x knife fuse size 00 63A on terminals, 4x RCD 63/300mA



Item no.: 151226

Mounting plate prepared for installation in concrete cabins

- Equipped with:
- 2x hard rubber distributors type 7800
 - 1x counter plate and control fuse
 - Sockets: 1x 125A, 2x 63A, 2x 32A, 3x 16A and T25 + T23
 - RCD + MCB as protection
 - Converter measurement on-site in another cabin



Mounting plate 900x820x3 steel galvanised



Item no.: 136591

Mounting plate prepared for installation in concrete cabins (cabin 840x1200)

- Equipped with:
- 2x hard rubber distributors type 3800 + 7800
 - 1x counter plate
 - Sockets: 3x 32A, 3x T25, 5x T23, RCD, MCB and RCBD as protection

